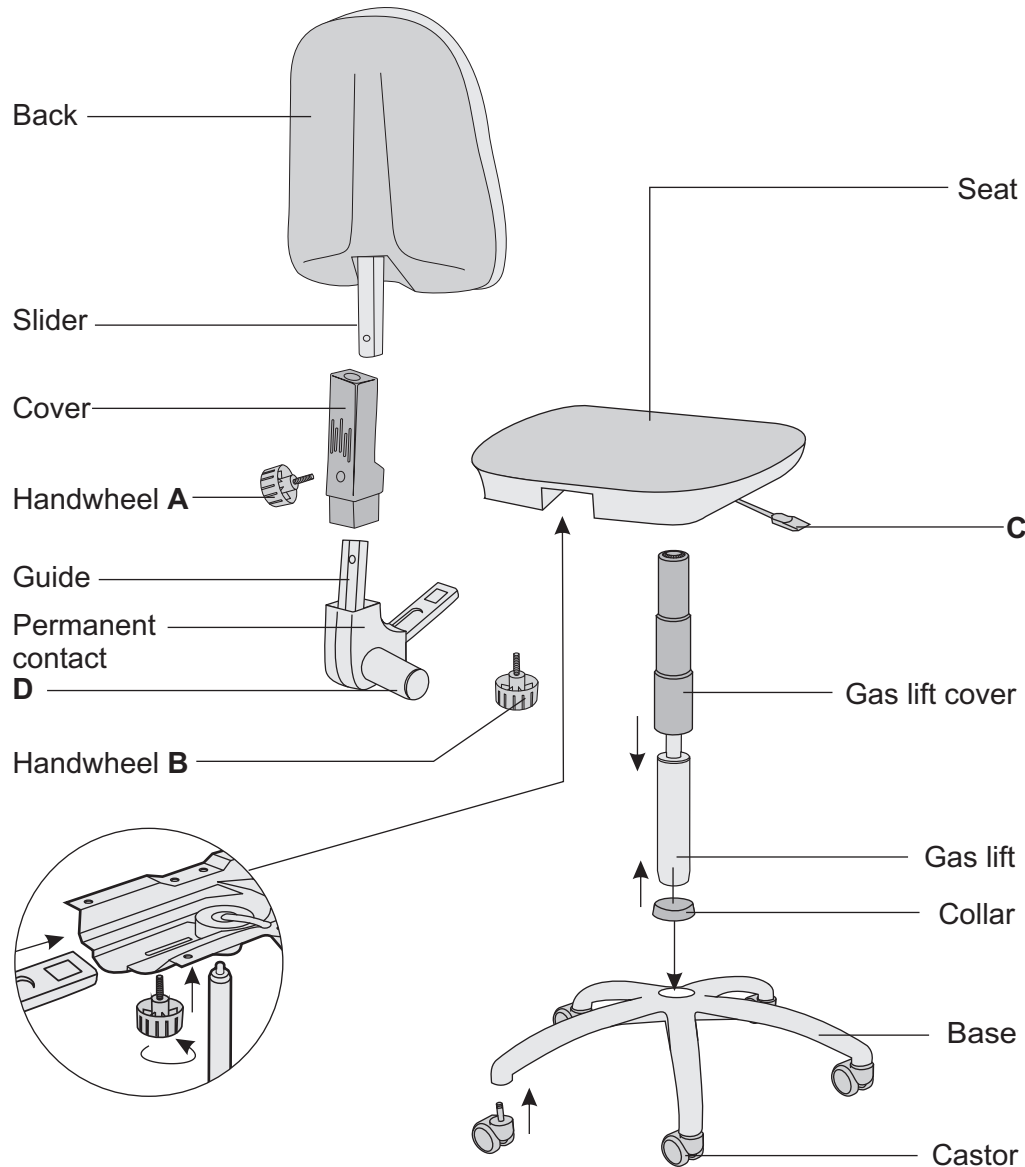


NJGB5

JUPITER TS02 RTS PST01-CPT



ASSEMBLY AND ADJUSTMENT INSTRUCTIONS

Before beginning the assembly, please check that all parts are enclosed.

PART LIST



- | | |
|---|--|
| <input type="checkbox"/> 1 base | <input type="checkbox"/> 1 permanent contact |
| <input type="checkbox"/> 5 castors | <input type="checkbox"/> 1 guide cover |
| <input type="checkbox"/> 1 gas lift | <input type="checkbox"/> 1 back with slider |
| <input type="checkbox"/> 1 gas lift cover | <input type="checkbox"/> 1 handwheel A (short) |
| <input type="checkbox"/> 1 cover collar | <input type="checkbox"/> 1 handwheel B (long) |
| <input type="checkbox"/> 1 seat | |

ASSEMBLY

- Press wheels onto chair base.
NOTE: H type wheels – onto soft base
W type wheels – onto hard base
- Pull gas lift cover over the gas lift.
- Insert cover collar into gas lift (from bottom).
- Insert the gas lift into base.
- Firmly locate the tapered end of the gas lift into locating hole in the seat base.
- Connect permanent contact device to the seat and tighten handwheel B. Slide the cover over the guide.
- Insert the back slider in the guide and tighten handwheel A.

ADJUSTMENT

- The seat height adjustment - lever C.
Gas lift allows the adjustment of the seat height.
- The back height adjustment - handwheel A.
By releasing handwheel A the back can be moved up and down. Place the back at desired position and retighten handwheel A.
- The back depth adjustment - handwheel B.
By releasing handwheel B the back can be moved forward and back. Place the back at desired depth and retighten handwheel B.
- The back tilt adjustment - knob D.

MAINTENANCE

Inspection Inspect chair at least every six months to make sure all knobs, bolts and screws are tight.

Vinyl upholstery Wipe with damp cloth, moistened in a mild detergent solution. For unusual stains use commercial vinyl cleaner, following manufacturer's instructions.

Fabric upholstery Whisk or vacuum regularly. For unusual stains use commercial nylon cleaner, following manufacturer's instructions.

Other surfaces Wipe with a soft cloth, moistened in a mild detergent solution. Dry and buff lightly with a dry cloth.

Attention
Exchange and installation of gas-lifts should only be carried out by trained specialists.