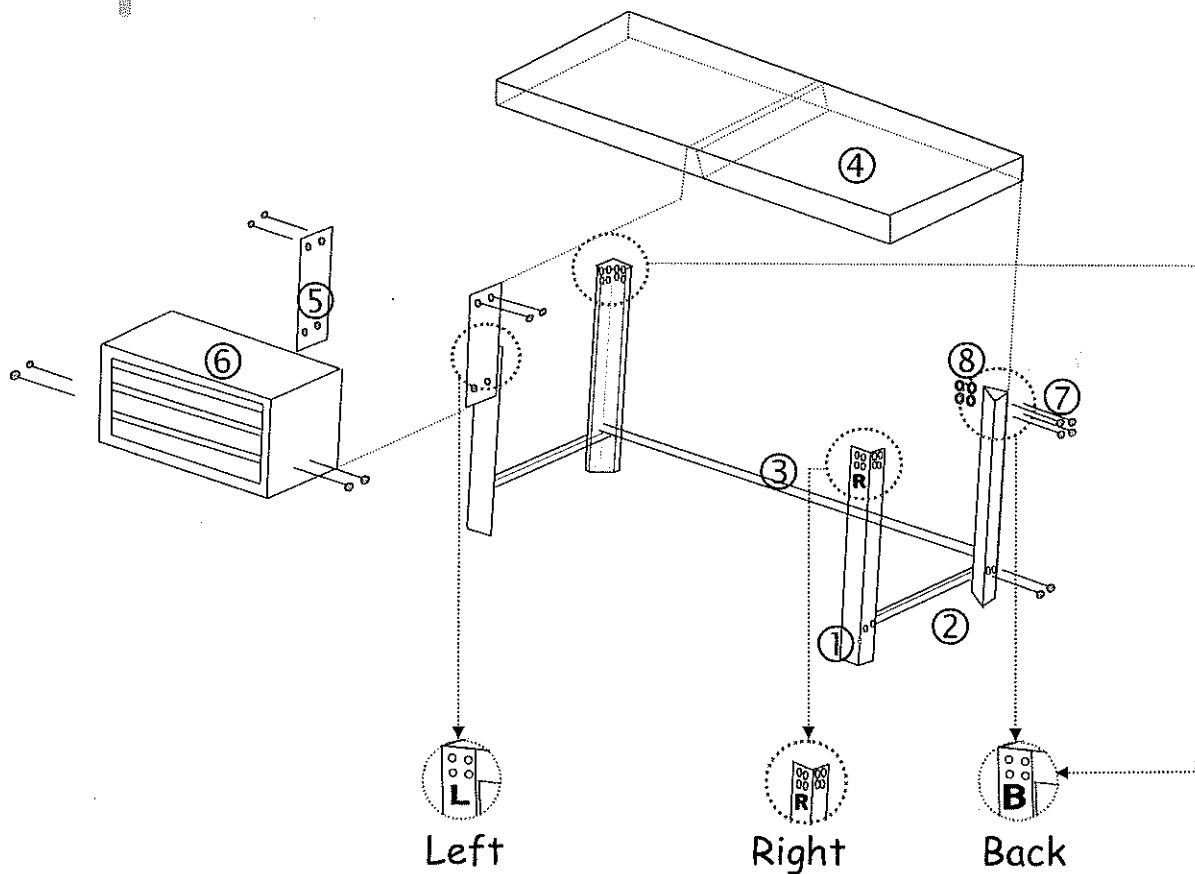
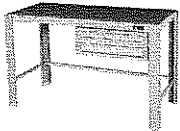


ASSEMBLY INSTRUCTIONS

Read through carefully and understand these instructions before use.



SPARE PARTS LIST FOR WORKBENCH

NO	DESCRIPTION	Q'TY	NO	DESCRIPTION	Q'TY
1	Angle Frame	4	6	3 Drawer Chest	1
2	Short Square Bar	2	7	M8*16mm Hex Screw	52
3	Long Square Bar	1	8	M8 Hex Nut	36
4	Table	1			
5	Connecting Panel	2			